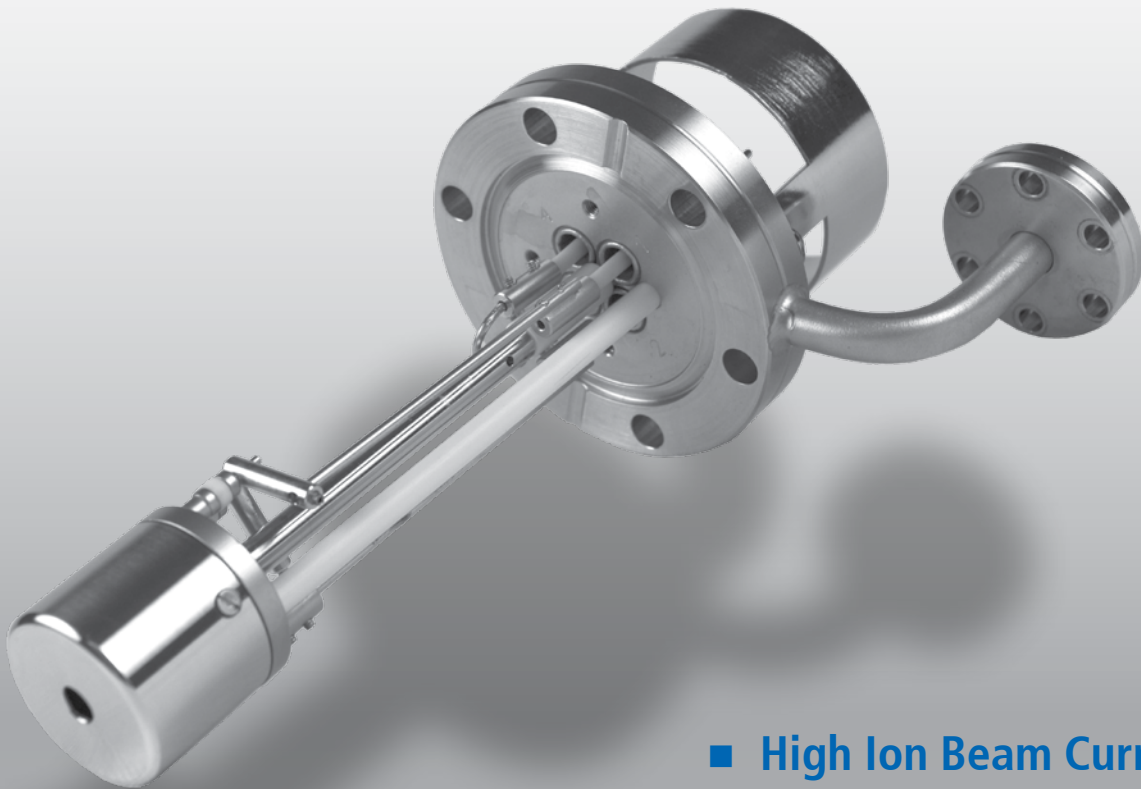


COMPONENTS FOR SURFACE ANALYSIS

# Ion Source IQE 11/35

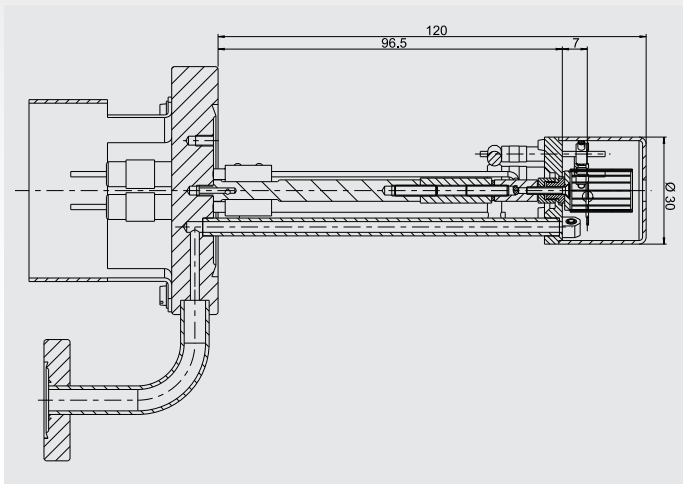


- High Ion Beam Current
- Free of Impurities
- Suitable for Reactive Gases

## Ion Source IQE 11/35

The IQE 11/35 is a compact, easy-to-handle extractor type ion source optimized for sample cleaning. The beam diameter (FWHM) and current density depend on the source-to-sample distance.

In order to minimise the pressure increase, the gas is fed directly into the ionization chamber through a separate DN16CF flange. Typically, the pressure in the UHV chamber remains in the  $10^{-5}$  to  $10^{-6}$  mbar range during operation.



## Digital Power Unit PU-IQE11

- Fully digitized emission current regulation (0 - 10mA)
- Energy range: 0.2 - 5 keV
- Timer for stand-alone operation
- Automatic self test
- Storage of up to 9 different parameter sets
- Remote control via computer interfaces (IEC488, RS232)
- 19" (W) x 132 mm(H), 20 kg
- 230/115 V, 120 VA, 50/60 Hz

SPECS GmbH  
Surface Analysis and Computer Technology  
Voltastrasse 5  
13355 Berlin  
Germany

Tel.: +49 30 467 824 - 0  
Fax: +49 30 464 2083  
email: support@specs.com  
web: www.specs.com



ISO 9001 Certificate

Distance (mm)	30	60
FWHM (mm)	< 5	< 10
max. current density at the center position		
$\mu\text{A}/\text{cm}^2$	> 250	> 70

Source performance at 5 keV as a function of distance between the sample and source exit aperture.

## Application:

- Extractor type ion source optimized for sample cleaning.

## Technical Data:

- Beam currents up to 20  $\mu\text{A}$  (Argon)
- Beam energy from 200 eV up to 5 keV
- Customized insertion length up to 250 mm
- Special modification for larger length (optional)
- Mounted on a DN35CF flange
- Bakeable up to 250 °C
- Available with a digital or analog power supply



## Analog Power Unit IQE11 A

- Easy manual control
- Energy range 0.2 - 3 keV
- Emission current selectable 3 mA, 6 mA or 10 mA
- 19" (W) x 88 mm(H), 10 kg
- 230/115 V, 70 VA, 50/60 Hz

Your Local Representative: